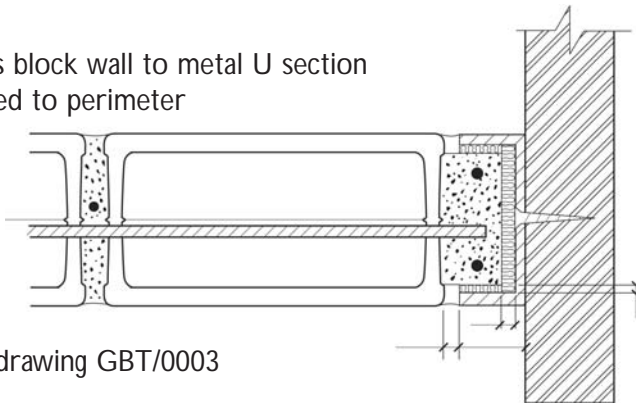


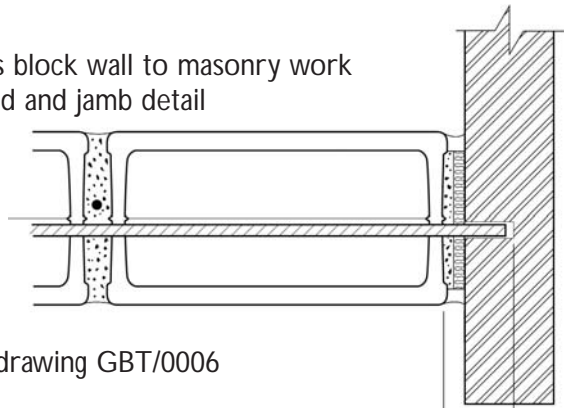
See drawing GBT/0008

Glass block wall to metal U section
- Fixed to perimeter



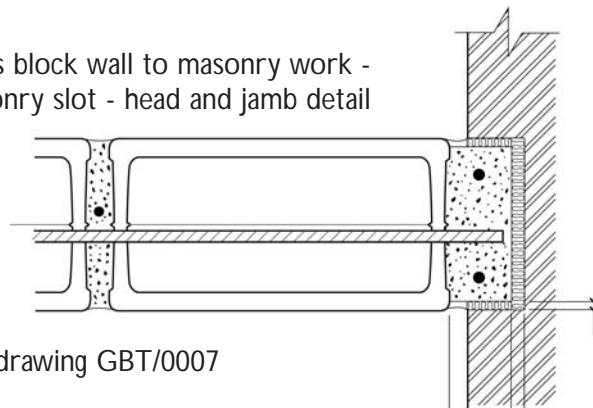
See drawing GBT/0003

Glass block wall to masonry work
- head and jamb detail



See drawing GBT/0006

Glass block wall to masonry work -
masonry slot - head and jamb detail



See drawing GBT/0007

Guide to Installation

1. Place bitumen expansion / slip joint on sill or paint 2 coats of bitumen emulsion
2. Position expansion fibre to jambs and head.
3. Position plastic spacer pegs (if used).
4. Lay sufficient mortar, place glass blocks in position and tap with mallet until mortar has compressed to give a 10mm joint.
5. Insert re-inforcement rods as work progresses by drilling over sized holes, fill with mastic and insert rod. If overlapping rods, overlap by 150mm and tie with stainless steel tie wire. Panel anchors can be used as an alternative.
6. Fill joints with mortar between glass blocks and compress with suitable tool.
7. Ensure first row is level and perpendicular before proceeding. Back shuttering can be used to maintain a plumb line.
8. Insert spacer pegs whilst building progresses. Maximum of 3 rows can be built in one day without spacer pegs to avoid mortar squeeze. 6-8 rows can be built using spacer pegs.
9. Smooth joints whilst mortar is still workable. Alternatively rake back and use Colmef Vetromix as a grout to give a perfect finish. When cured, the mortar is water repellent.
10. Rake clear all perimeters and fill expansion joint with silicon sealant.

Note : If aluminium/steel 'U' channels are used, secure to surround at 600mm centres.

Place expansion material inside 'U' channel and fill with mortar. Double rodding is required in all channels.

Cleaning

Remove surplus mortar from glass as work proceeds with a wet sponge. Do not use abrasive cleaners or hydrofluoric acids.

For final clean after installation : start at the top of the wall with clean water and wash down. Avoid any particles of mortar. Dry off with a soft cloth.

DRAWING TITLE :

GUIDE TO INSTALLING GLASS BLOCKS USING RODS & MORTAR SYSTEM (2)

NOTES

1. Drawing not to scale. For information purposes only.

This drawing may not be reproduced or made use of unless expressly agreed by Glass Block Technology Limited.

DRAWING No.

GBT/0002