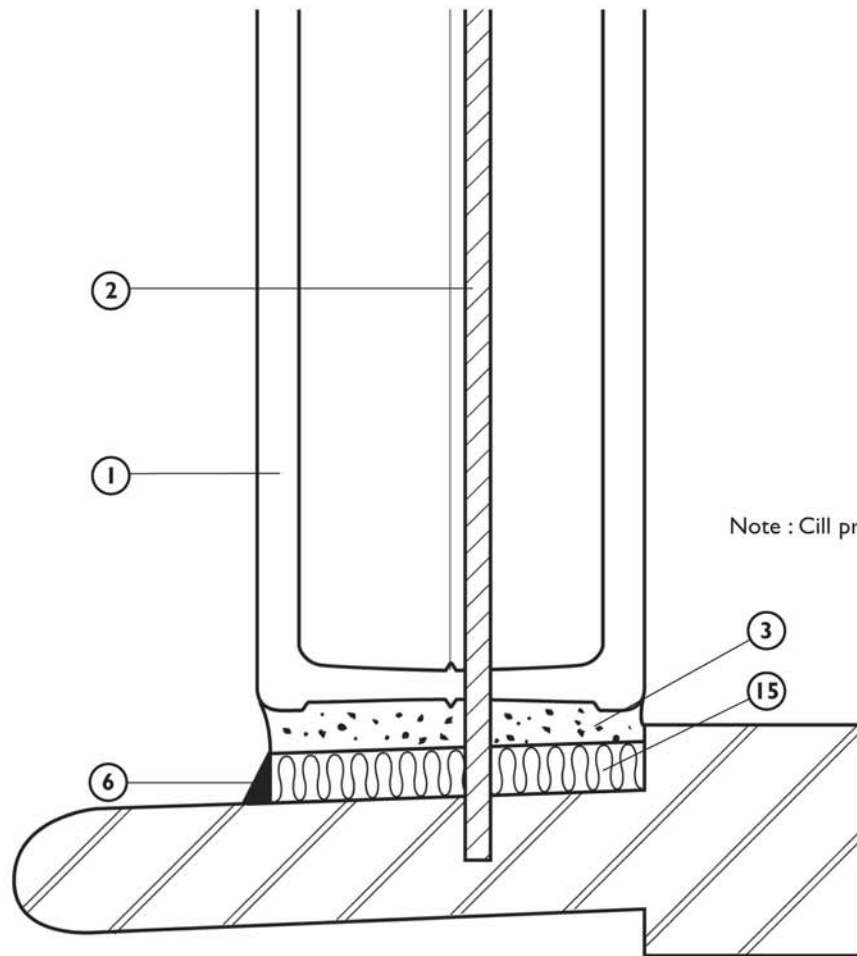
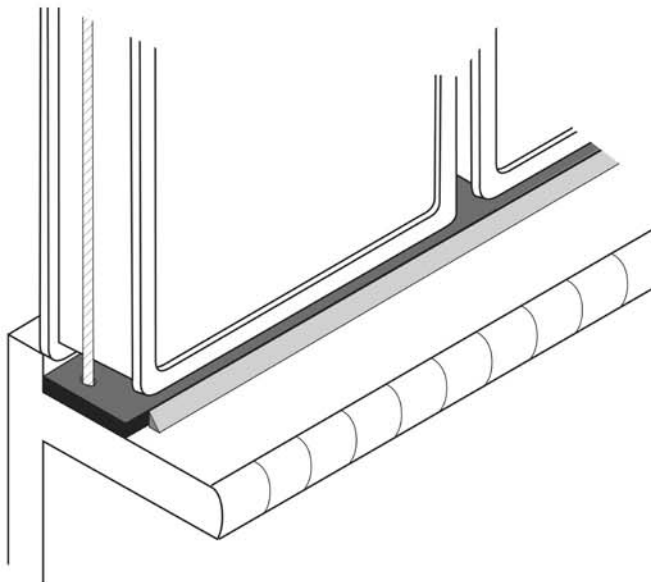


PLAN



Note : Cill provided by others.



KEY :

- ① Glass block
- ② Reinforcement Rod
- ③ Colmef Vetromix Mortar (also for grout finishing)
- ⑥ Silicon Sealant
- ⑮ Bitumen Expansion Strip

DRAWING TITLE :

MORTAR FIXING DETAIL GLASS BLOCK WALL CILL DETAIL

NOTES

1. Drawing not to scale. For information purposes only.

This drawing may not be reproduced or made use of unless expressly agreed by Glass Block Technology Limited.

DRAWING No.

GBT/0008